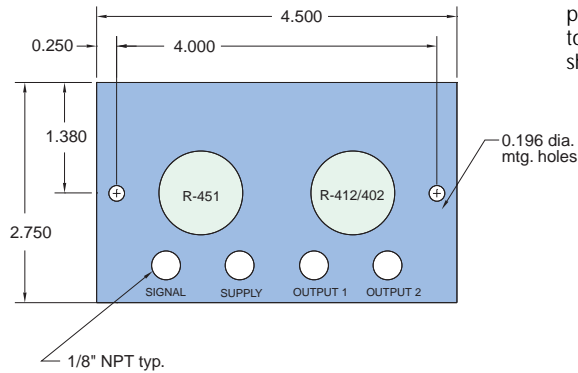
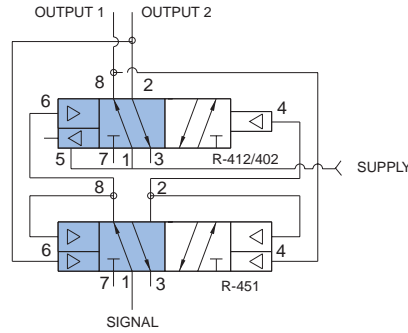


CM-03

Binary Redirect Circuit Boards



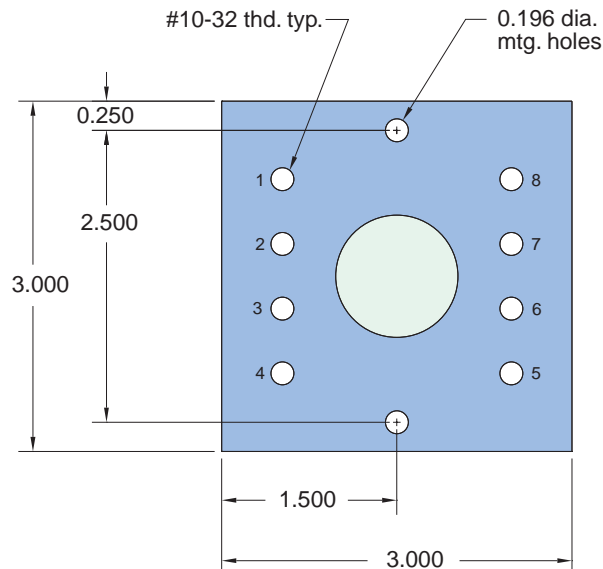
Size: 4 1/2" x 2 3/4" x 13/16" thick - 2 modules

Use: Combines the R-451 and R-402 or R-412 in a binary redirect or flip-flop circuit. Provides 1/8" NPT ports for all connections.

Operation: Use of the R-412 provides a "memory" function to return the output to a known position (port 8) whenever air is first turned on to the circuit. This output pilots port 4 of the R-451 positioning it for the next signal. A signal input passes through the R-451, ports 1 to 2, and pilots port 4 of the R-412. The output of the R-412 shifts to port 2 and also pilots port 6 of the R-451. When the next signal input is received, it passes through the R-451, ports 1 to 8, and pilots port 6 of the R-412, shifting its output back to port 8.

CM-04

Universal #10-32 Circuit Board



Size: 3" x 3" x 5/8" thick - 1 module

Use: Provides mounting for a single modular valve, and provides #10-32 ports on the top side of subplate. Similar to CM-02, but ports are #10-32 threaded instead of 1/8" NPT.

Handy for circuit development and single module circuits